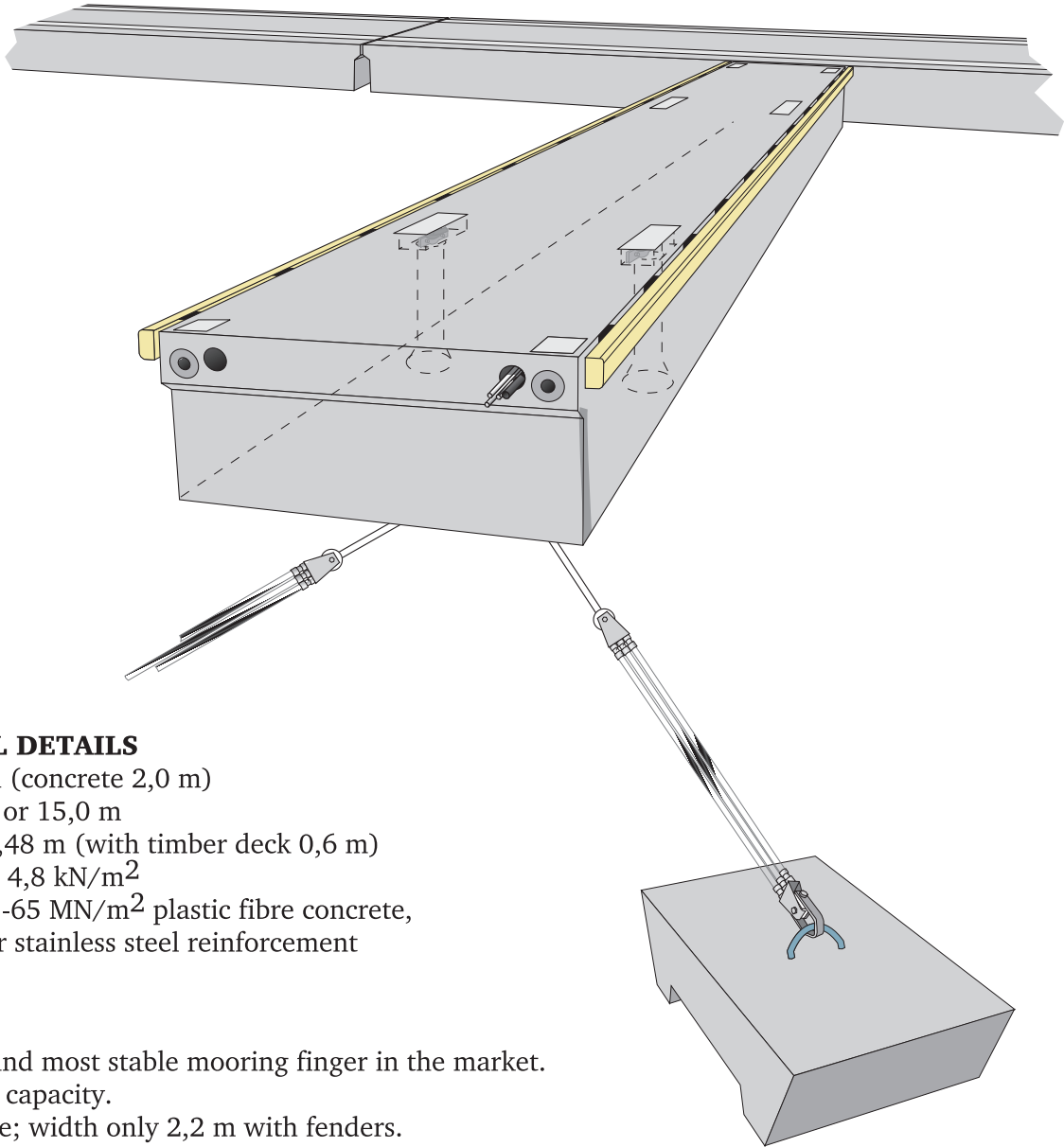


NEW 2006

SUPER YACHT FINGER & HEAVY DUTY 2200



TECHNICAL DETAILS

Width: 2,2 m (concrete 2,0 m)
Length: 12,0 or 15,0 m
Freeboard: 0,48 m (with timber deck 0,6 m)
Net capacity: 4,8 kN/m²
Structure: 45-65 MN/m² plastic fibre concrete,
hot-dipped or stainless steel reinforcement

FEATURES

Very strong and most stable mooring finger in the market.
High loading capacity.
Slim structure; width only 2,2 m with fenders.
Strong mooring pontoon for tight and narrow marinas.
Modern construction with the unique Seaflex mooring system.
Cable ducts for electricity as standard.
Strong mooring points for big boats.
Designed life expectation 50 years.
Simple to install, maintenance-free and best value for money.

MARINETEK

MARINETEK HEADQUARTERS

Veneentekijäntie 2, FIN-00210 Helsinki, Finland
Tel. +358 9 6824100 • Fax +358 9 68241030
info@marinetek.net • www.marinetek.net